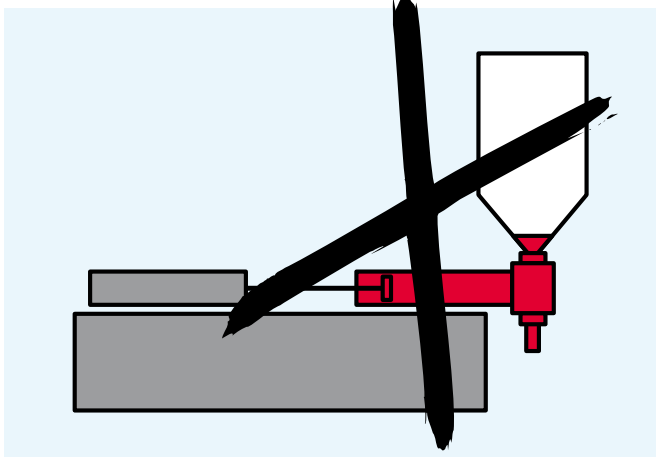


## ■ Simple to clean

A conventional piston filler has many parts to clean – Fillflex just two

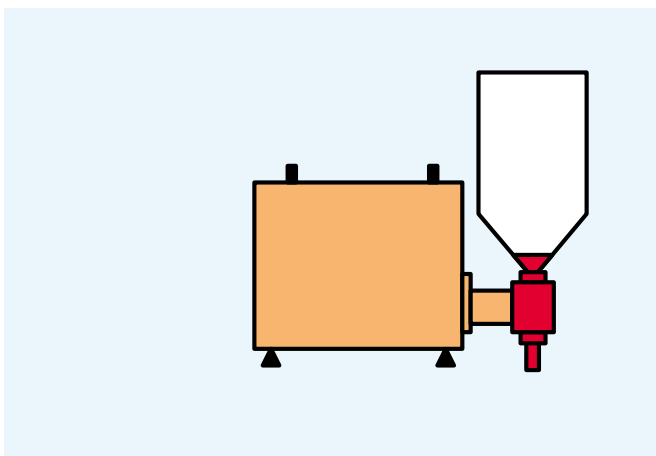
**FILLFLEX**

– the flexible filling machines



Piston filler to clean:

- piston
- cylinder
- inlet valve
- outlet valve
- valve casing



Fillflex to clean:

- impeller house
- impeller



The Fillflex pumps are simple to dismantle and clean. Typically without any tools.